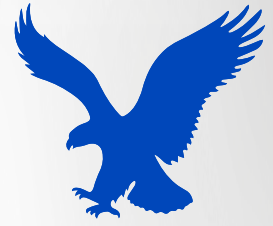


Metering Pump

Catalogue



EMOCLEW AMERICA



www.emoclewpumps.com



EMOCLEW AMERICA

Professional Metering Pump Manufacturer

Quality

Emoclew America is manufactured strictly to ISO standard
API675 standard is also available

Target

Become a creative and innovative leader in
metering pump industries

Mission

Providing quality products and best service
Focus on the customer
Technical needs in various industries

Value

What we do, we do well

Service

Act with urgency
Remain responsive to change
Work efficiently

Contents

Emoclew America



EMOCLEW AMERICA

Solenoid Diaphragm Metering Pump

▶ JLM	4
▶ JLM-A	4

Diaphragm Metering Pump

▶ JBB	5
▶ KD	5
▶ JMX	6
▶ 2JMX	6
▶ GM	7
▶ Digital Controller	7
▶ GB	8
▶ GB-S	8
▶ J-SX	9

Plunger Metering Pump

▶ 2J-X	10
▶ J-Z	11
▶ J-ZR	12
▶ J-D	13
▶ J-DR	14
▶ J-T	15
▶ JYSX	16
▶ JYZ	17

Hydraulic Diaphragm Metering Pump

▶ JYZR	18
▶ JYD	19
▶ JYDR	20
▶ JYT	21
▶ JYZ2/JYD2/JYT2	22
▶ Accessories	23

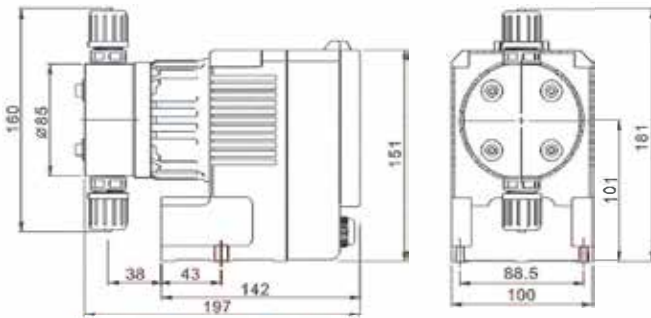
JLM Soleniod

Diaphragm Metering Pump



► JLM

- Capacity range: 1-15 l/h
- Electromagnet driving without bearing
- Stylish design with smart size
- Ease of precise control: by stroke length or stroke speed manually
- Fully-sealed pump body offers IP 65 Protection
- Low energy consumption with rated power only 28W
- PVC or PVDF material available for all chemical liquids
- All models with accessories: hose tube, injection valve, foot valve and check valves



► JLM-A

Automatic control: 4-20 mA signal or pulse signal

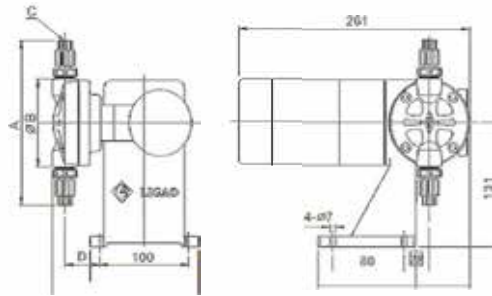


■ Parameter Table

Model	Flow l/h	Pressure Bar	Stroke Rate spm	Diaphragm mm	Motor Power w	Connection mm	Weight kg
JLM0110	1.0	10	0-120	34	28	5×8	4.5
JLM0408	3.8	7.6	0-180	41			
JLM0505	5.0	5.0					
JLM0804	7.6	3.5	51				
JLM1002	10	2.0					
JLM1202	12	1.5					
JLM1501	15	1.0					
Material		PVC, PVDF for pump head(liquid end)					
Connection type		Hose					
Supply voltage		220v or 110V, single phase, 50/60 hz					



► **JBB**



Unit: mm

Model	A	B	C	D	E
JBB10-40	174	94	6	39	163
JBB 60-130	207	114	10	41	172

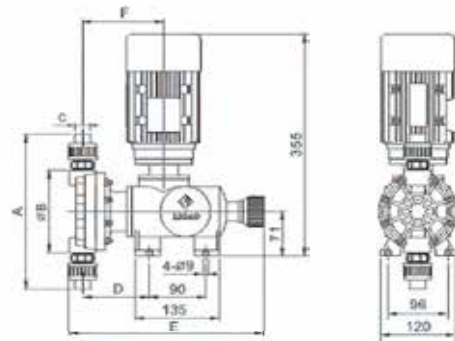
■ **Parameter Table**

Model	Flow(l/h)		Pressure Mpa	Stroke Rate spm	Diaphragm mm	Motor Power w	Connection mm	Weight kg
	50hz	60hz						
JBB 15/1.0	15	18	1.0	75	65	60	6.5×10	8.2
JBB 25/1.0	25	30	1.0	100				
JBB 40/0.8	40	48	0.8	120				
JBB 60/0.6	60	72	0.6	100	84	60	10×14	8.2
JBB 85/0.5	85	102	0.5	100				
JBB 100/0.4	100	120	0.4	120				
JBB 130/0.4	130	156	0.4	150				

Material	PVC, S.S.304, S.S.316 and PTFE for pump head(liquid end)
Connection type	Hose, pipe union, screw
Supply voltage	380v, 3-phase, 4 pole, IP54, 50/60 hz on standard, 12v, 24v, 36v, 48v dc and others on request



► **KD**



Unit: mm

Model	A	B	C	D	E	F
KD 20-40	192	93	8(tube)	101	306	124
KD 60-130	248	132	20/DN 15	106.5	312.5	129

■ **Parameter Table**

Model	Flow(l/h)		Pressure Mpa	Stroke Rate spm	Diaphragm mm	Motor Power kw	Connection mm	Weight kg
	50hz	60hz						
KD 20/0.8	20	24	0.8	48	65	0.18	6.5×10	8
KD 40/0.6	40	48	0.6	96				
KD 60/0.6	60	72	0.6	48				
KD 80/0.5	80	96	0.5	96	95	0.18	1/2"DN15	8
KD 120/0.5	120	144	0.5	96				
KD 180/0.5	180	216	0.5	144				

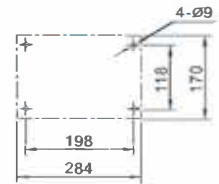
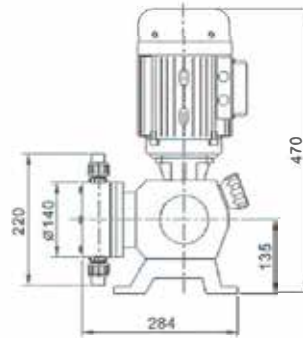
Material	PVC, S.S.304, S.S.316 and PTFE for pump head(liquid end)
Connection type	Hose, pipe union, screw
Supply voltage	380v, 3-phase, 4 pole, IP54, 50/60 hz on standard; others on request

Diaphragm

Metering Pump



► JMX

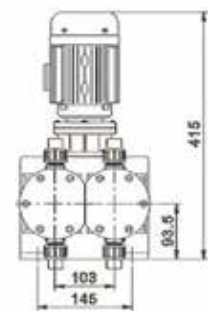
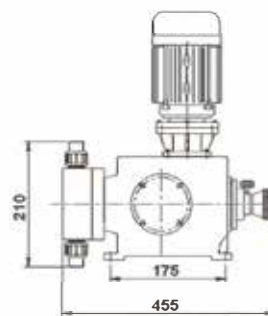


■ Parameter Table

Model	Flow(l/h)		Pressure Mpa	Stroke Rate spm	Diaphragm mm	Motor Power kw	Connection mm	Weight kg
	50hz	60hz						
JMX 80/0.6	80	96	0.6	48	133	0.37	1/2"/DN15	18
JMX 120/0.5	120	144	0.5	48				
JMX 160/0.5	160	192	0.5	96				
JMX 240/0.4	240	288	0.4	144		0.55	1"/DN25	
JMX 360/0.4	360	432	0.4	96				
JMX 450/0.4	450	540	0.4	144				
JMX 560/0.3	560	672	0.3	144			25	
Material	PVC, S.S.304, S.S.316 and PTFE for pump head(liquid end)							
Connection type	Hose, pipe union, screw							
Supply voltage	380v, 3-phase, IP54, 4 pole, 50/60 hz on standard, others on request							



► 2JMX



■ Parameter Table

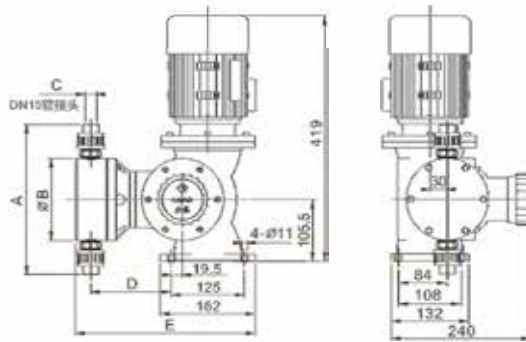
Model	Flow(l/h)		Pressure Mpa	Stroke Rate spm	Diaphragm mm	Motor Power kw	Connection mm	Weight kg
	50hz	60hz						
2JMX 40/0.8	40	48	0.8	48	95	0.37	6.5×10	30
2JMX 80/0.6	80	96	0.6					
2JMX 120/0.5	120	144	0.5	96				
2JMX 160/0.5	160	192	0.5					
2JMX 200/0.4	200	240	0.4					
2JMX 240/0.4	240	288	0.4					
Material	PVC, S.S.304, S.S.316 and PTFE for pump head(liquid end)							
Connection type	Hose, pipe union, screw							
Supply voltage	380v, 3-phase, IP54, 4 pole, 50/60 hz on standard, others on request							



EMOCLEW AMERICA

▶ GM

Mechanical diaphragm pumps with reliable quality



Unit: mm

Model	A	B	C	D	E
GM 25	172	94	6	128	285
GM50-500	256	140	DN15	137.5	312

■ Parameter Table

Model	Flow(l/h)		Pressure Mpa	Stroke Rate spm	Diaphragm mm	Motor Power kw	Connection mm	Weight kg	
	50hz	60hz							
GM 25/1.0	25	30	1.0	48	65	0.37	6.5×10	22	
GM 50/1.0	50	60	1.0	48		0.25			
GM 80/0.7	80	96	0.7	96		0.37			
GM 120/0.7	120	144	0.7	48					
GM 170/0.7	170	204	0.7	96					
GM 240/0.5	240	288	0.5	96					
GM 320/0.5	320	384	0.5	144					
GM 420/0.4	420	504	0.4	144					
GM 500/0.3	500	600	0.3	144					0.55
Material		PVC, S.S.304, S.S.316 and PTFE for pump head(liquid end)							
Connection type		Hose, pipe union, screw							
Supply voltage		380v, 3-phase, 4 pole, IP54, 50/60 hz on standard; others on request							



▶ Digital Controller

1. Instant and cumulative flow display
2. Easy for operation
3. Digital frequency control
4. Periodly medium adding with rated flow
5. Level sensor function
6. Can be connected to computer or PLC
7. Can receive 4~20mA and hall signal
8. Failure warning function

Supply power (standard): 220V, single phase, 50/60 hz

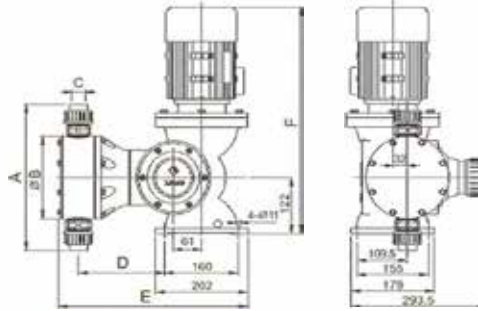
Diaphragm

Metering Pump



► GB

Mechanical diaphragm pumps are suitable for high flow.



Unit: mm

Model	A	B	C	D	E	F
GB380-800	318	180	32/DN25	187.5	414	492
GB1000	318	180	32/DN25	187.5	414	512
GB1400-1600	413	220	50/DN40	192.5	424	532

■ Parameter Table

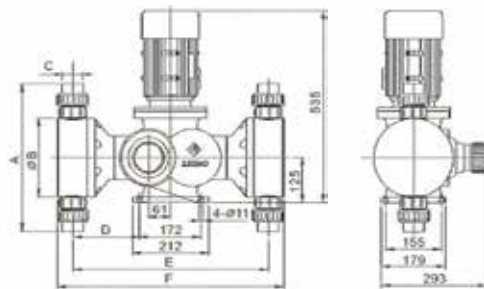
Model	Flow(l/h)		Pressure Mpa	Stroke Rate spm	Diaphragm mm	Motor Power kw	Connection mm	Weight kg
	50hz	60hz						
GB 360/0.6	360	432	0.6	48	150	0.75	1"/DN25	40
GB 500/0.6	500	600	0.6	96				
GB 650/0.6	650	780	0.6	96				
GB 850/0.5	850	1020	0.5	144				
GB 1000/0.4	1000	1200	0.4	144				
GB 1400/0.3	1400	1680	0.3	96	180	1.5	1.5"/DN40	50
GB 1800/0.3	1800	2160	0.3	144				

Material	PVC, S.S.304, S.S.316 and PTFE for pump head(liquid end)
Connection type	Hose, pipe union, screw
Supply voltage	380v, 3-phase, 4 pole, IP54, 50/60 hz on standard, others on request



► GB-S

Double heads with one motor, suitable for high flow and low pressure feeding



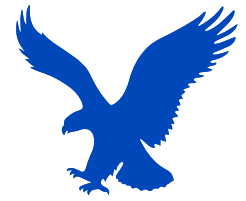
Unit: mm

Model	A	B	C	D	E	F
G-BS1200-2000	318	180	32/DN25	181.5	535	611
G-BS2500-3600	413	413	50/DN40	186.5	545	631

■ Parameter Table

Model	Flow(l/h)		Pressure Mpa	Stroke Rate spm	Diaphragm mm	Motor Power kw	Connection mm	Weight kg
	50hz	60hz						
GB-S 1300/0.5	1300	1560	0.5	96	150	1.5	1"/DN25	70
GB-S 1700/0.5	1700	2040	0.5					
GB-S 2000/0.4	2000	2400	0.4					
GB-S 2800/0.3	2800	3360	0.3	144	180	1.5"/DN40	75	
GB-S 3600/0.3	3600	4320	0.3					

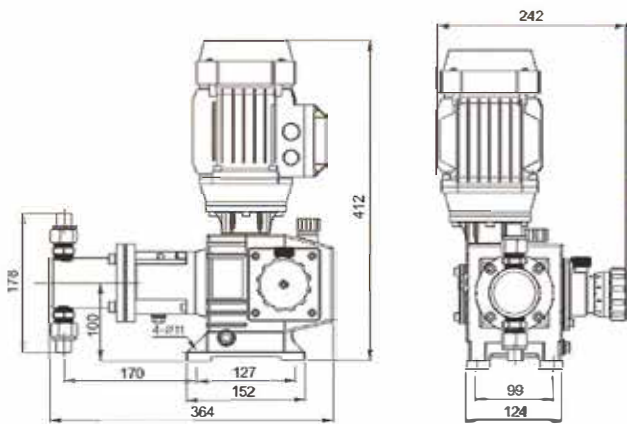
Material	PVC, S.S.304, S.S.316 and PTFE for pump head(liquid end)
Connection type	Hose, pipe union, screw
Supply voltage	380v, 3-phase, 4 pole, IP54, 50/60 hz on standard; others on request



EMOCLEW AMERICA



► **J-SX**



■ **Parameter Table**

Model	Flow(l/h)		Pressure(Mpa)		Plunger mm	Stroke Length mm	Stroke Rate spm	Connection	Weight kg
	50hz	60hz	0.37kw	0.55kw					
J-SX2/38(50)	2	2.4	38	50	6	20	80/120	1/2"DN15 (Union)	40
J-SX 3/21(32)	3	3.6	21	32	8				
J-SX 5/13(20)	5	6	13	20	10				
J-SX 8.0/9.0(14)	8.0	9.6	9.0	14	12				
J-SX 15/5.4(7.6)	15	18	5.4	7.6	16				
J-SX 25/3.5(5.0)	25	30	3.5	5.0	20				
J-SX 56/2.2(3.2)	56	67	2.2	3.2	25				45
J-SX 75/1.7(2.5)	75	90	1.7	2.5	28				
J-SX 100/1.3(2.0)	100	120	1.3	2.0	32				
J-SX 128/1.1(1.6)	128	153	1.1	1.6	35				
J-SX 155/0.9(1.3)	155	186	0.9	1.3	38				
J-SX 190/0.7(1.0)	190	228	0.7	1.0	42				
J-SX 220/0.5(0.7)	220	264	0.5	0.7	45				
Material	S.S.304, S.S.316, S.S.304 coated with PTFE, PVC for pump head(liquid end) Flame plating, ceramic of plunger(smooth,no leak)								
Supply voltage	380v, 3-phase, IP54, 4 pole, 50/60 hz on standard; others on request								

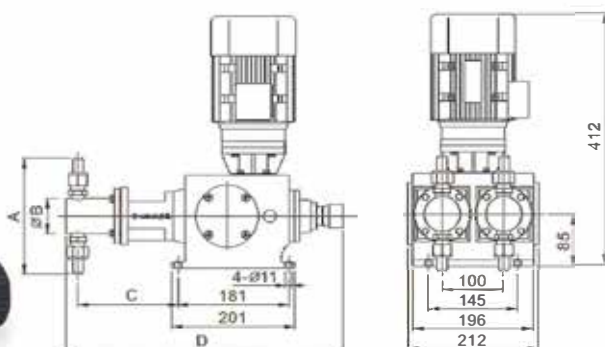
* S.S.304 coated with PTFE, PVC only for low pressure

Plunger

Diaphragm Metering Pump



► 2J-X



Unit: mm

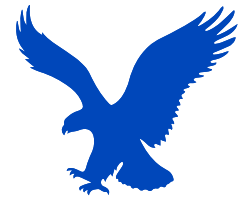
Model	A	B	C	D
2J-X 5-60	192	58	166/178*	449/461*
2J-X 100-100	198	64	176/178*	459/471*
2J-X 130-130	198	64	176	459
2J-X 160-160	203	69	176	459
2J-X 200-300	203	69	176	459

■ Parameter Table

Model	Flow(l/h)		Pressure(Mpa)		Plunger mm	Stroke Length mm	Stroke Rate spm	Connection	Weight kg
	50hz	60hz	0.37kw	0.55kw					
2J-X 5.0/3.8(50)	5.0	6	38	50	6	20	96	1/2"DN15 (Union)	35
2J-X 8.0/21(32)	8.0	9.6	21	32	8				
2J-X 16/13(20)	16	19	13	20	10				
2J-X 25/9.0(14)	25	30	9.0	14	12				
2J-X 40/5.4(7.6)	40	48	5.4	7.6	16				
2J-X 60/3.5(5.0)	60	72	3.5	5.0	20				
2J-X 100/2.2(3.2)	100	120	2.2	3.2	25				38
2J-X 130/1.7(2.5)	130	156	1.7	2.5	28				
2J-X 160/1.3(2.0)	160	192	1.3	2.0	32				
2J-X 200/1.0(1.6)	200	240	1.0	1.6	35				43
2J-X 250/0.8(1.3)	250	300	0.8	1.3	38				
2J-X 300/0.6(1.0)	300	360	0.6	1.0	42				

Material	S.S.304, S.S.316, S.S.304 coated with PTFE, PVC for pump head(liquid end) Flame plating, ceramic of plunger(smooth,no leak)
Supply voltage	380v, 3-phase, IP54, 4 pole, 50/60 hz on standard; others on request

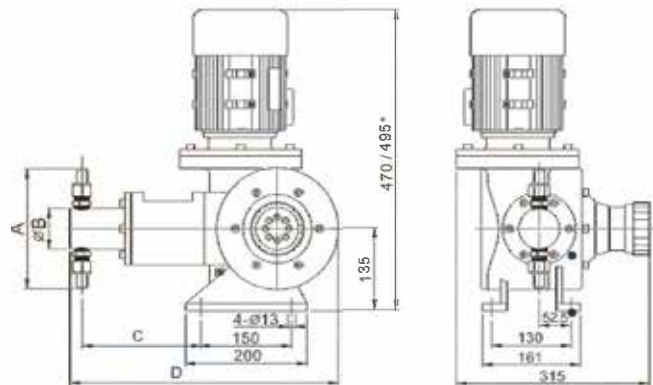
* S.S.304 coated with PTFE,PVC only for low pressure



EMOCLEW AMERICA



► **J-Z**



Unit: mm

Model	A	B	C	D
J-Z 6-40	197	67	190	436
J-Z 65-130	197	67	190	436
J-Z 160-190	200	70	190	436
J-Z 270-330	208	78	190	436
J-Z 400-470	228	90	190	436

■ **Parameter Table**

Model	Flow(l/h)		Pressure(Mpa)		Plunger mm	Stroke Length mm	Stroke Rate spm	Connection	Weight kg
	50hz	60hz	0.55kw	0.75 kw					
J-Z 6/32(40)	6	7.2	32	40	8	25	96	1/2"DN15 (Union)	42
J-Z 10/20(25)	10	12	20	25	10				
J-Z 15/15(20)	15	18	15	20	12				
J-Z 25/8.0(10)	25	30	8.0	10	16				
J-Z 40/5.4(6.3)	40	48	5.4	6.3	20				
J-Z 65/3.5(4.5)	65	78	3.5	4.5	25				
J-Z 80/2.8(3.6)	80	96	2.8	3.6	28				
J-Z 110/2.0(2.8)	110	132	2.0	2.8	32				
J-Z 130/1.7(2.3)	130	156	1.7	2.3	35				
J-Z 160/1.5(2.0)	160	192	1.5	2.0	38				
J-Z 190/1.2(1.6)	190	228	1.2	1.6	42				
J-Z 210/1.0(1.4)	210	252	1.0	1.4	45				
J-Z 270/0.8(1.1)	270	324	0.8	1.1	50				
J-Z 330/0.6(0.9)	330	396	0.6	0.9	55				
J-Z 400/0.5(0.8)	400	480	0.5	0.8	60	3/4"DN20 (Union)	55		
J-Z 470/0.4(0.6)	470	564	0.4	0.6	65				

Material S.S.304, S.S.316, S.S.304 coated with PTFE. PVC for pump head(liquid end)
Flame plating, ceramic of plunger(smooth,no leak)

Supply voltage 380v, 3-phase, IP54, 4 pole, 50/60 hz on standard; others on request

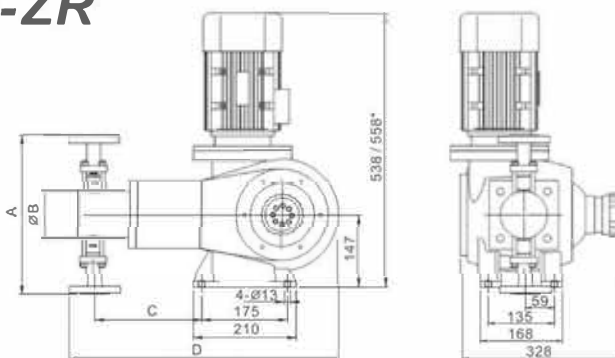
* S.S.304 coated with PTFE.PVC only for low pressure

Plunger

Diaphragm Metering Pump



► J-ZR



Unit : mm

Model	A	B	C	D
J-ZR 6.5-32	181	55	223	520
J-ZR 50-130	181	55	223	520
J-ZR 160-225	191	65	227	528
J-ZR 330	196	70	210	512
J-ZR 400	213	87	210	512
J-ZR 480-550	315	87	218	525
J-ZR 650-1000	324	96	224	556

■ Parameter Table

Model	Flow(l/h)		Pressure(Mpa)		Plunger mm	Stroke Length mm	Stroke Rate spm	Connection	Weight kg
	50hz	60hz	1.1kw	1.5kw					
J-ZR 6.5/40(50)	6.5	7.8	40	50	8	30	96	1/2" /DN15 (Union)	86
J-ZR 16/30(40)	16	19	30	40	12				
J-ZR 32/16(22)	32	38	16	22	16				
J-ZR 50/10(14)	50	60	10	14	20				
J-ZR 80/6.3(9.0)	80	96	6.3	9.0	25				
J-ZR 100/5.0(7.5)	100	120	5.0	7.5	28				
J-ZR 130/4.0(5.6)	130	156	4.0	5.6	32				
J-ZR 160/3.5(4.8)	160	192	3.5	4.8	35				
J-ZR 190 2.8(4.0)	190	228	2.8	4.0	38			3/4" /DN20 (Union)	95
J-ZR 225/2.4(3.2)	225	270	2.4	3.2	42				
J-ZR 265/2.0(2.8)	265	318	2.0	2.8	45				
J-ZR 330/1.6(2.3)	330	396	1.6	2.3	50				
J-ZR 400/1.4(1.8)	400	480	1.4	1.8	55				
J-ZR 480/1.2(1.6)	480	576	1.2	1.6	60				
J-ZR 550/1.0(1.3)	550	660	1.0	1.3	65				
J-ZR 650/0.8(1.2)	650	780	0.8	1.2	70	DN25 (flange)	98		
J-ZR 750/0.6(1.0)	750	900	0.6	1.0	75				
J-ZR 1000/0.5	1000	1200	***	0.5	75				

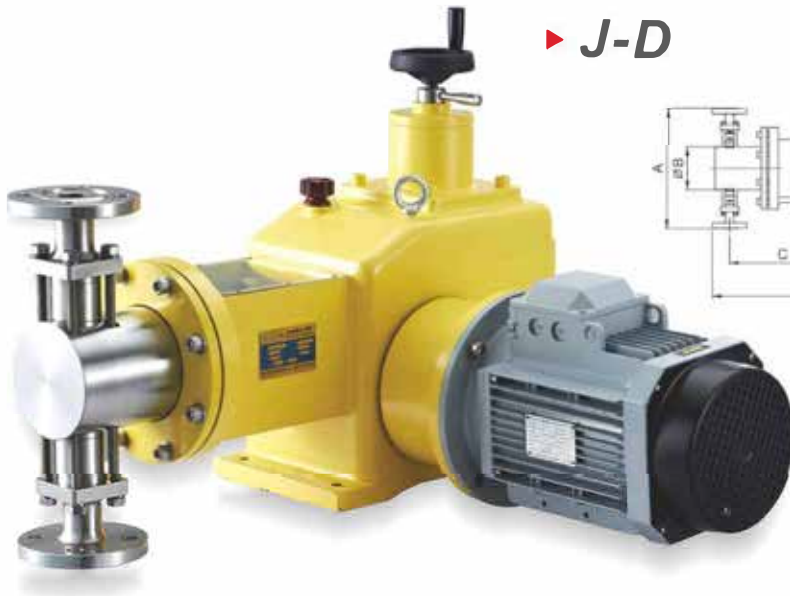
Material S.S.304, S.S.316, S.S.304 coated with PTFE, PVC for pump head(liquid end)
Flame plating, ceramic of plunger(smooth,no leak)

Supply voltage 380v, 3-phase, IP54, 4 pole, 50/60 hz on standard; others on request

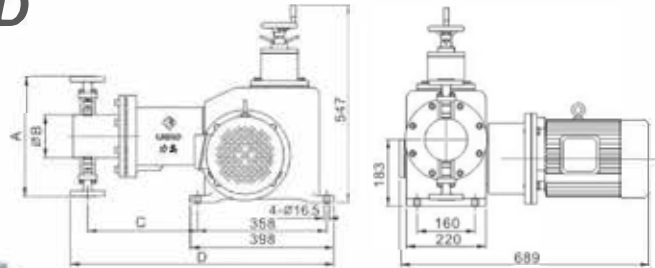
* S.S.304 coated with PTFE,PVC only for low pressure



EMOCLEW AMERICA



► **J-D**



Unit: mm

Model	A	B	C	D
J-D 48-272	334	118	304.5	730
J-D 330-330	258	78	250	675.5
J-D 470-570	304	78	233	663.5
J-D 680-800	314	88	233	663.5
J-D 930-1060	339	102	283.5	719
J-D 1210-1360	353	118	298.5	734
J-D 1530-1700	401	128	304.5	752.5
J-D 1890-1890	216	138	353	803.5
J-D 2080-2490	216	150	267	817.5

■ **Parameter Table**

Model	Flow(l/h)		Pressure(Mpa)		Plunger mm	Stroke Length mm	Stroke Rate spm	Connection	Weight kg
	50hz	60hz	3kw	4kw					
J-D 23/40(50)	23	27	40	50	12	40	100	DN10 (flange)	145
J-D 40/30(40)	40	48	30	40	16				
J-D 63/20(28)	63	75	20	28	20				
J-D 105/13(18)	105	126	13	18	25				
J-D 175/8.0(11)	175	210	8.0	11	32				
J-D 300/4.8(6.3)	300	360	4.8	6.3	42				
J-D 365/4.5(5.5)	365	438	4.5	5.5	45				
J-D 450/3.5(4.5)	450	540	3.5	4.5	50				
J-D 540/2.8(3.8)	540	648	2.8	3.8	55				
J-D 650/2.4(3.2)	650	780	2.4	3.2	60				
J-D 760/2.0(2.6)	760	912	2.0	2.6	65				
J-D 900/1.6(2.3)	900	1080	1.6	2.3	70				
J-D 1050/1.4(2.0)	1050	1260	1.4	2.0	75				
J-D 1200/1.2(1.8)	1200	1440	1.2	1.8	80				
J-D 1350/1.1(1.6)	1350	1620	1.1	1.6	85				
J-D 1500/1.0(1.4)	1500	1800	1.0	1.4	90				
J-D 1680/0.8(1.2)	1680	2016	0.8	1.2	95				
J-D 1850/1.0	1850	2220	***	1.0	100				
J-D 2050/0.8	2050	2460	***	0.8	105				
J-D 2250/0.6	2250	2700	***	0.6	110				
J-D 2500/1.0	2500	3000	***	1.0	95	150	DN32 (flange)	180	
J-D 3000/0.6	3000	3600	***	0.6	105		DN40 (flange)	180	

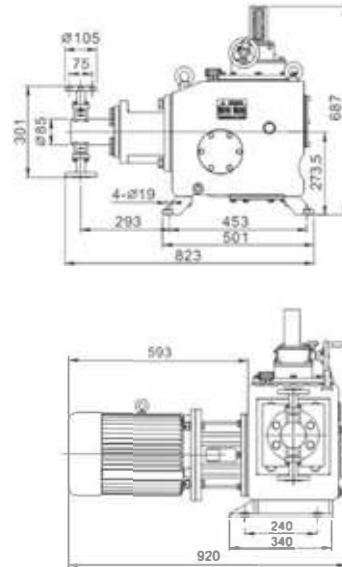
Material	S.S.304, S.S.316, S.S.304 coated with PTFE, PVC for pump head(liquid end) Flame plating, ceramic of plunger(smooth,no leak)
Supply voltage	380v, 3-phase, IP54, 4 pole, 50/60 hz on standard, others on request

* S.S.304 coated with PTFE,PVC only for low pressure

Plunger

Diaphragm Metering Pump

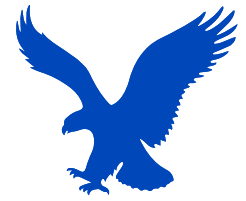
► J-DR



■ Parameter Table

Model	Flow(l/h)		Pressure(Mpa)		Plunger mm	Stroke Length mm	Stroke Rate spm	Connection	Weight kg
	50hz	60hz	5.5kw	7.5kw					
J-DR 92/28(50)	92	110	28	50	20	60	96	DN15 (flange)	330
J-DR 145/18(32)	145	174	18	32	25				
J-DR 190/14(25)	190	228	14	25	28				
J-DR 240/11(20)	240	288	11	20	32			DN20 (flange)	335
J-DR 430/6.3(11)	430	516	6.3	11	42				
J-DR 520/5.0(9.0)	520	624	5.0	9.0	45			DN25 (flange)	340
J-DR 650/4.5(8.0)	650	780	4.5	8.0	50				
J-DR 780/3.6(6.5)	780	936	3.6	6.5	55				
J-DR 930/3.1(5.5)	930	1116	3.1	5.5	60			DN32 (flange)	345
J-DR 1100/2.6(4.6)	1100	1320	2.6	4.6	65				
J-DR 1300/2.3(4.0)	1300	1560	2.3	4.0	70			DN40 (flange)	350
J-DR 1480/2.0(3.5)	1480	1776	2.0	3.5	75				
J-DR 1700/1.8(3.0)	1700	2040	1.8	3.0	80			DN50 (flange)	360
J-DR 1920/1.6(2.8)	1920	2304	1.6	2.8	85				
J-DR 2150/1.4(2.4)	2150	2580	1.4	2.4	90				
J-DR 2400/1.2(2.2)	2400	2880	1.2	2.2	95				
J-DR 2680/1.0(1.8)	2680	3216	1.0	1.8	100				
J-DR 3250/0.9(1.5)	3250	3900	0.9	1.5	110				
J-DR 3860/0.7(1.3)	3860	4632	0.7	1.3	120				
J-DR4550/0.6(1.1)	4550	5400	0.6	1.1	130				
J-DR5260/0.5(1.0)	5260	6312	0.5	1.0	140				
J-DR6050/0.4(0.8)	6050	7260	0.4	0.8	150				
Material	S.S.304, S.S.316, S.S.304 coated with PTFE, PVC for pump head(liquid end) Flame plating, ceramic of plunger(smooth,no leak)								
Supply voltage	380v, 3-phase, IP54, 4 pole, 50/60 hz on standard; others on request								

* S.S.304 coated with PTFE,PVC only for low pressure

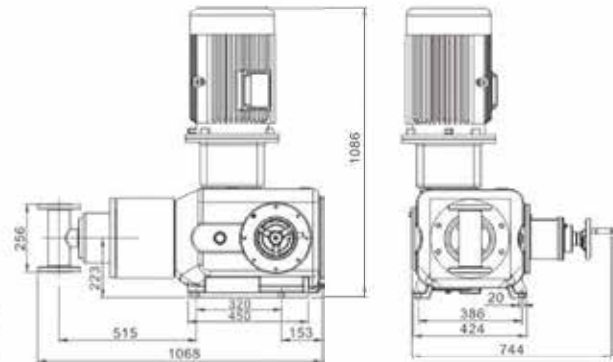


EMOCLEW AMERICA



▶ J-T

High pressure and high flow



■ Parameter Table

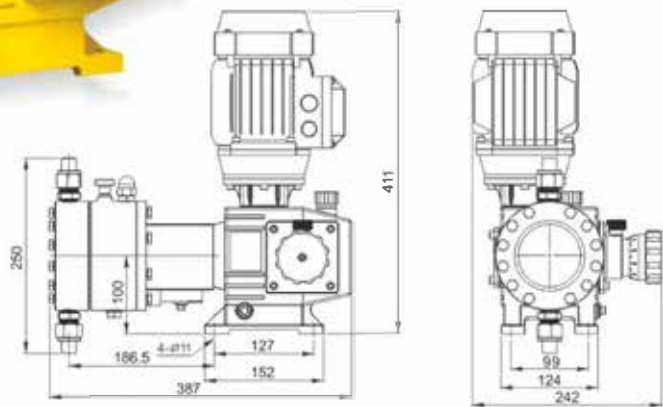
Model	Flow(l/h)		Pressure (Mpa)	Plunger mm	Stroke Length mm	Stroke Rate spm	Connection	Weight kg
	50hz	60hz						
J-T 180/50	186	223	50	25	80	93	DN15 (flange)	520
J-T 220/40	229	274	40	28				
J-T 300/30	304	364	30	32				
J-T 450/22	455	546	22	38			DN20 (flange)	
J-T 550/18	556	667	18	42				
J-T 780/12	788	945	12	50			DN25 (flange)	
J-T 1000/10	1000	1200	10	55				
J-T 1200/8.5	1200	1440	8.5	60			DN32 (flange)	
J-T 1400/7.5	1420	1704	7.5	65				
J-T 1650/6.5	1665	1998	6.5	70			DN40 (flange)	
J-T 1900/5.5	1910	2292	5.5	75				
J-T 2200/4.8	2200	2640	4.8	80			DN50 (flange)	
J-T 2480/4.3	2485	2982	4.3	85				
J-T 2800/3.8	2800	3360	3.8	90			DN65 (flange)	
J-T 3100/3.5	3130	3756	3.5	95				
J-T 3460/3.1	3468	4161	3.1	100			DN50 (flange)	
J-T 4200/2.6	4200	5040	2.6	110				
J-T5000/2.2	5000	6000	2.2	120			DN50 (flange)	
J-T 5800/1.8	5890	7068	1.8	130				
J-T 6800/1.6	6830	8196	1.6	140			DN50 (flange)	
J-T 7800/1.4	7840	9408	1.4	150				
J-T 8900/1.2	8920	10704	1.2	160	DN50 (flange)			
J-T 10000/1.1	10050	12060	1.1	170				
J-T 11300/0.9	11300	13560	0.9	180	DN65 (flange)			
J-T 12600/0.8	12600	15120	0.8	190				
J-T 14000/0.6	14000	16800	0.6	200				
Material	S.S.304, S.S.316, S.S.304 coated with PTFE, PVC for pump head(liquid end) Flame plating, ceramic of plunger(smooth,no leak)							
Supply voltage	380v, 3-phase, IP54, 4 pole, 50/60 hz on standard, others on request							

Plunger

Diaphragm Metering Pump



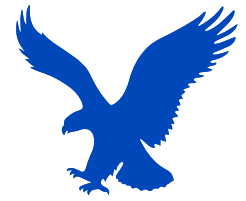
► **JYSX**



■ **Parameter Table**

Model	Flow(l/h)		Pressure(Mpa)		Plunger mm	Stroke Length mm	Stroke Rate spm	Connection	Weight kg
	50hz	60hz	0.37kw	0.55kw					
JYSX 15/9.0(14)	15	18	9.0	14	12	20	80/120	1/2"DN15 (Union)	40
JYSX 27/5.4.0(7.6)	27	32	5.4	7.6	16				
JYSX 44/3.5(5.0)	44	52	3.5	5.0	20				
JYSX 68/2.2(3.2)	68	81	2.2	3.2	25				
JYSX 86/1.7(2.5)	86	103	1.7	2.5	28				
JYSX 112/1.3(2.0)	112	134	1.3	2.0	32				
JYSX 135/1.1(1.6)	135	162	1.1	1.6	35				
JYSX 160/0.9(1.3)	160	192	0.9	1.3	38				
Material	S.S.304, S.S.316, PTFE, S.S.304 coated with PTFE for pump head(liquid end)								
Supply voltage	380v, 3-phase, IP54, 4 pole, 50/60 hz on standard, others on request								

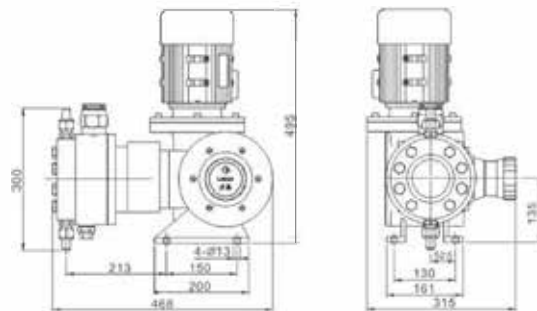
* PTFE.S.S.304 coated with PTFE only for low pressure



EMOCLEW AMERICA



► **JYZ**



■ **Parameter Table**

Model	Flow(l/h)		Pressure(Mpa)		Plunger mm	Stroke Length mm	Stroke Rate spm	Connection	Weight kg		
	50hz	60hz	0.55kw	0.75kw							
JYZ 10/15(20)	10	12	15	20	12	25	96/144	1/2"DN15 (Union)	74		
JYZ 15/15(20)	15	18	15	20							
JYZ 22/8.0(10)	22	26	8.0	10	16						
JYZ 35/8.0(10)	35	42	8.0	10							
JYZ 40/5.4(7.2)	40	48	5.4	7.2	20						
JYZ 70/4.5(6.0)	70	84	4.5	6.0							
JYZ 90/3.5(4.5)	90	108	3.5	4.5	25			DN15(flange)	90		
JYZ 100/2.0(2.8)	100	120	2.0	2.8						30	
JYZ 135/2.4(3.2)	135	162	2.4	3.2	32						
JYZ 150/2.0(2.8)	150	180	2.0	2.8						36	
JYZ 200/1.6(2.2)	200	240	1.6	2.2	40						
JYZ 240/1.3(1.8)	240	288	1.3	1.8		45					
JYZ 300/1.0(1.4)	300	360	1.0	1.4	50						
JYZ 400/0.8(1.1)	400	480	0.8	1.1							
Material	S.S.304, S.S.316, PTFE, S.S.304 coated with PTFE for pump head(liquid end)										
Supply voltage	380v, 3-phase, IP54, 4 pole, 50/60 hz on standard; others on request										

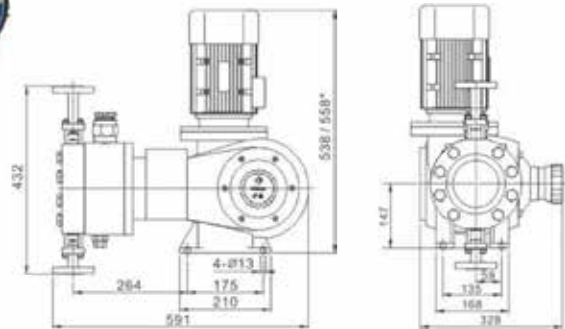
* PTFE,S.S.304 coated with PTFE only for low pressure

Hydraulic

Metering Pump



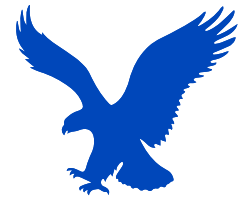
► JYZR



Parameter Table

Model	Flow(l/h)		Pressure(Mpa)		Plunger mm	Stroke Length mm	Stroke Rate spm	Connection	Weight kg
	50hz	60hz	1.1kw	1.5kw					
JYZR 28/16(22)	28	33	16	22	16	30	96/144	1/2"/DN15 (Union)	140
JYZR 45/10(14)	45	54	10	14	20				
JYZR 58/10(12)	58	69	10	12	22				
JYZR 75/6.3(9.0)	75	90	6.3	9.0	25				
JYZR 125/4.5(6.5)	125	150	4.5	6.5	32				
JYZR 160/3.2(4.5)	160	192	3.2	4.5	36				
JYZR 200/2.6(3.6)	200	240	2.6	3.6	40				
JYZR 250/2.0(2.8)	250	300	2.0	2.8	45				
JYZR 320/1.6(2.3)	320	384	1.6	2.3	50				
JYZR 380/1.4(1.8)	380	456	1.4	1.8	55				
JYZR 460/1.2(1.6)	460	552	1.2	1.6	60	DN20 (flange)	162		
JYZR 700/1.0(1.4)	700	840	1.0	1.4	60				
Material	S.S.304, S.S.316, PTFE, S.S.304 coated with PTFE for pump head(liquid end)								
Supply voltage	380v, 3-phase, IP54, 4 pole, 50/60 hz on standard; others on request								

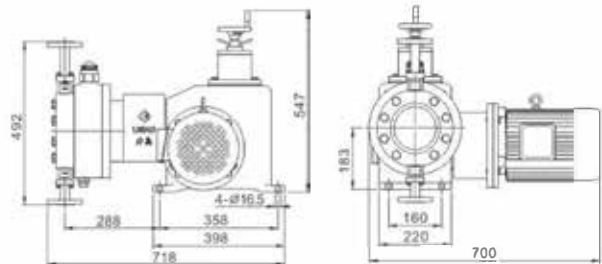
* PTFE,S.S.304 coated with PTFE only for low pressure



EMOCLEW AMERICA



► **JYD**



■ **Parameter Table**

Model	Flow(l/h)		Pressure(Mpa)		Plunger mm	Stroke Length mm	Stroke Rate spm	Connection	Weight kg
	50hz	60hz	3kw	4kw					
JYD 40/30(40)	40	48	30	40	16	40	100/150	DN10 (flange)	200
JYD 65/20(28)	65	78	20	28	20				
JYD 100/20(28)	100	120	20	28	25				
JYD 160/13/18	160	192	13	18	25			DN15 (flange)	210
JYD265/8.0(11)	265	318	8.0	11	32				
JYD 340/6.5(8.5)	340	408	6.5	8.5	36				
JYD 420/5.4(6.8)	420	504	5.4	6.8	40				
JYD 540/4.2(5.6)	540	648	4.2	5.6	45			DN20 (flange)	220
JYD 670/3.5(4.5)	670	804	3.5	4.5	50				
JYD 820/2.8(3.8)	820	984	2.8	3.8	55				
JYD 985/2.4(3.2)	985	1182	2.4	3.2	60				
JYD 1160/2.0(2.6)	1160	1392	2.0	2.6	65				
JYD 1350/1.6(2.3)	1350	1620	1.6	2.3	70	DN25 (flange)	240		
JYD 1550/1.4(2.0)	1550	1860	1.4	2.0	75				
JYD 1800/1.2(1.8)	1800	2160	1.2	1.8	80				

Material	S.S.304, S.S.316, PTFE, S.S.304 coated with PTFE for pump head(liquid end)
Supply voltage	380v, 3-phase, IP54, 4 pole, 50/60 hz on standard; others on request

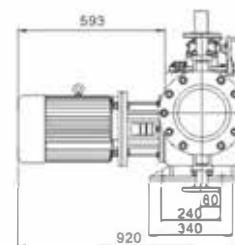
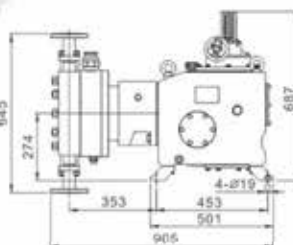
* S.S.304 coated with PTFE only for low pressure

Hydraulic

Metering Pump



► **JYDR**



■ Parameter Table

Model	Flow(l/h)		Pressure(Mpa)		Plunger mm	Stroke Length mm	Stroke Rate spm	Connection	Weight kg
	50hz	60hz	5 5kw	7 5kw					
JYDR 90/28(50)	90	108	28	50	20	60	96/144	DN15 (flange)	350
JYDR 150/18(32)	150	180	18	32	25				
JYDR 250/11(20)	250	300	11	20	32			DN20 (flange)	370
JYDR 320/8.5(15)	320	384	8.5	15	36				
JYDR 400/6.5(12)	400	480	6.5	12	40			DN25 (flange)	395
JYDR 500/5.2(10)	500	600	5.2	10	45				
JYDR 650/4.5(8.0)	650	780	4.5	8.0	50			DN32 (flange)	420
JYDR 790/3.6(6.5)	790	948	3.6	6.5	55				
JYDR 940/3.1(5.5)	940	1128	3.1	5.5	60			DN40 (flange)	450
JYDR 1100/2.6(4.6)	1100	1320	2.6	4.6	65				
JYDR 1300/2.3(4.0)	1300	1560	2.3	4.0	70				
JYDR 1500/2.0(3.5)	1500	1800	2.0	3.5	75				
JYDR 1700/1.6(3.0)	1700	2040	1.6	3.0	80				
JYDR 1920/1.5(2.8)	1920	2304	1.5	2.8	85				
JYDR 2150/1.3(2.4)	2150	2580	1.3	2.4	90				
JYDR 2400/1.2(2.2)	2400	2880	1.2	2.2	95				
JYDR 2650/1.1(2.0)	2650	3180	1.1	2.0	100				
JYDR 3200/1.6	3200	3840	***	1.6	110				
JYDR 4000/1.0	4000	4800	***	1.0	100				
JYDR 4900/0.9	4900	5880	***	0.9	110				

Material S.S.304, S.S.316, PTFE, S.S.304 coated with PTFE for pump head(liquid end)

Supply voltage 380v, 3-phase, IP54, 4 pole, 50/60 hz on standard; others on request

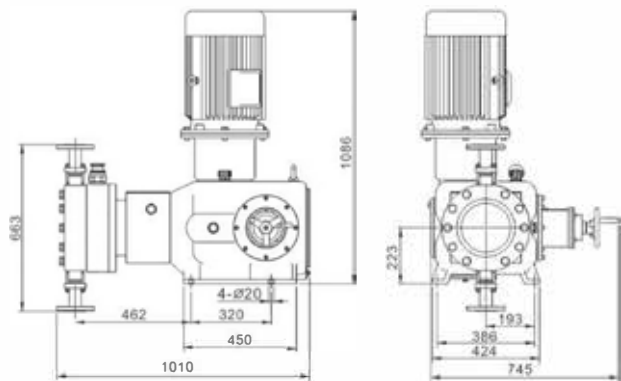
* S.S.304 coated with PTFE only for low pressure



EMOCLEW AMERICA



► **JYT**



■ **Parameter Table**

Model	Flow(l/h)		Pressure(Mpa) 11kw	Plunger mm	Stroke Length mm	Stroke Rate spm	Connection	Weight kg
	50hz	60hz						
JYT 180/50	180	216	50	25	80	93	DN15 (flange)	556
JYT 260/35	260	312	35	30				
JYT 300/30	300	360	30	32				
JYT 390/24	390	468	24	36				
JYT 480/20	480	576	20	40				
JYT 600/15	600	720	15	45				
JYT 780/12	780	936	12	50				
JYT 950/10	950	1140	10	55				
JYT 1100/8.5	1100	1320	8.5	60				
JYT 1250/8.0	1250	1500	8.0	63				
JYT 1300/7.5	1300	1560	7.5	65				
JYT 1500/6.3	1500	1800	6.3	70				
JYT 1800/5.5	1800	2160	5.5	75				
JYT 2000/4.8	2000	2400	4.8	80				
JYT 2300/4.3	2300	2760	4.3	85				
JYT 2650/3.8	2650	3180	3.8	90				
JYT 3000/3.5	3000	3600	3.5	95				
JYT 3300/3.1	3300	3960	3.1	100				
JYT 4000/2.6	4000	4800	2.6	110				
JYT 4900/2.2	4900	5880	2.2	120				
JYT 5700/1.8	5700	6840	1.8	130				
JYT 6600/1.6	6600	7920	1.6	140				
JYT 7700/1.4	7700	9240	1.4	150				
JYT 8800/1.2	8800	10560	1.2	160				
JYT 10000/1.0	10000	12000	1.0	170				
Material	S.S.304, S.S.316 for pump head(liquid end)							
Supply voltage	380v, 3-phase, IP54, 4 pole, 50/60 hz on standard; others on request							

▶ *Double Diaphragms with Leaking Detection System*

when diaphragm rupture occurs, the system will detect the leakage within 0.2-2 seconds. The system will stop automatically and make alarm when leakage occurs.

▶ **JYD2**



▶ **JYT2**



▶ **JYZR2**



EMOCLEW AMERICA

▶ **Safety Valve & Back Pressure Valve**



▶ **Pulse Damper**

▶ **Filter**



▶ **Pump Head**



▶ **PVC**

▶ **304/316**

▶ **PTFE**



EMOCLEW AMERICA

EMOCLEW AMERICA COMPANY LLC

7901 Kingspointe PKWY SUITE 28
Orlando - FL - 32819 - USA

+1 (407) 683-6437

emoclew@emoclewusa.com
info@emoclewpumps.com
www.emoclewpumps.com